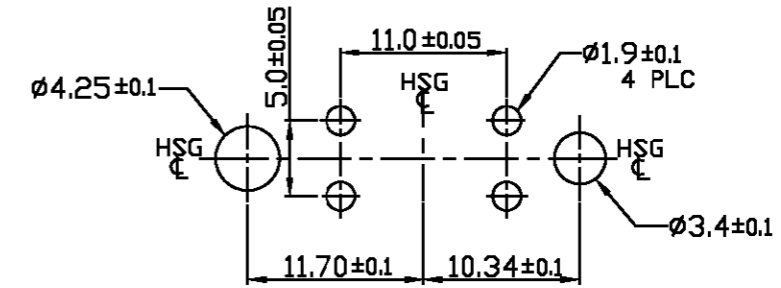
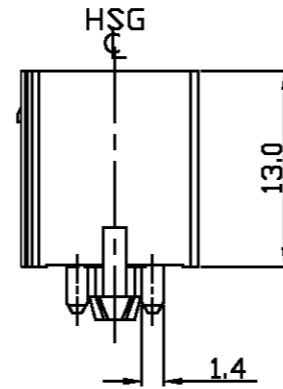
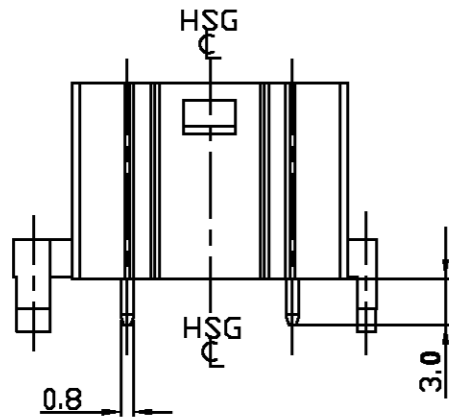
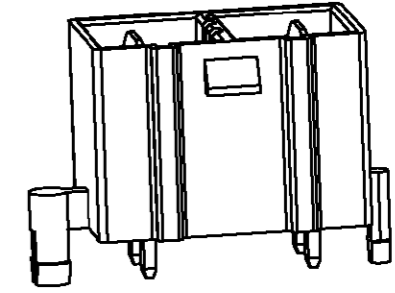
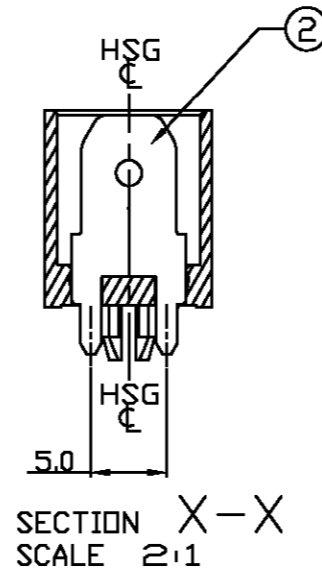
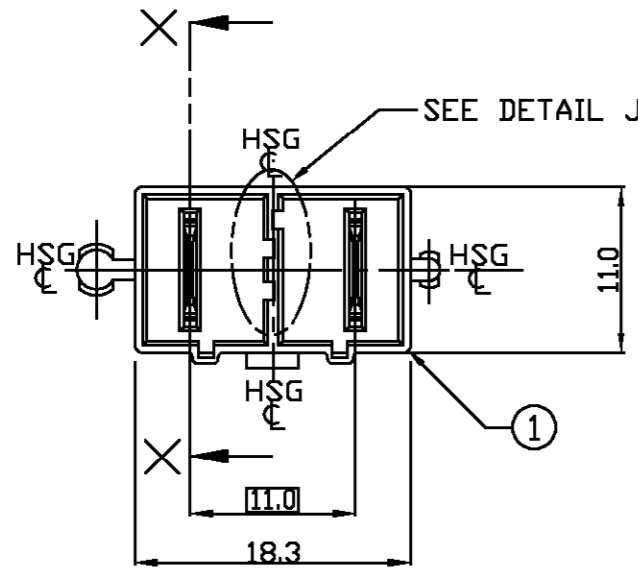


LOC	DIST	REVISIONS					
		P	LTR	DESCRIPTION	DATE	DWN	APVD
DS		C		REVISED PER ECR-19-008336	28/05/2019	LZ	TD



RECOMMENDED P.C.B LAYOUT

NOTES

- GENERAL TOLERANCES: ±0.25, ±2°
- KEYING TYPE: SEE TABLE 1
- MATING PLUG HSG P/N: 1743419-□

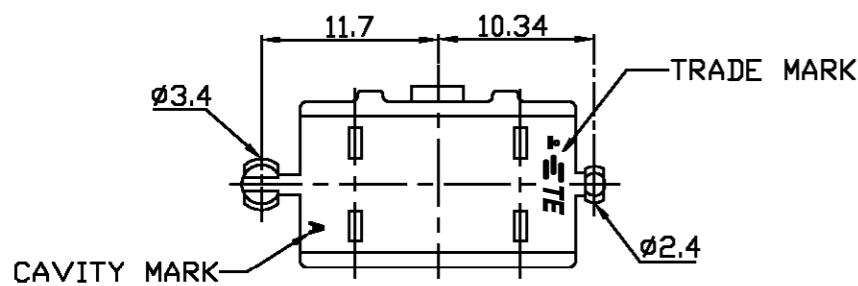


TABLE 1 (SEE DETAIL J)

TYPE	A	B	C	D
KEYING LOCATION				

TABLE 2

ITEM	DESCRIPTION	MATERIAL
①	250 2P HDR HSG(11mm Pitch)	6/6 NYLON
②	TERMINAL FOR 250 2P HSG	BRASS

OBSOLETE	D	BLUE	-1743330-6
	C	YELLOW	-1743330-4
	B	RED	-1743330-2
	A	NATURAL	1743330-1
△TYPE	COLOR	ASS'Y P/N	

<small>THIS DRAWING IS A CONTROLLED DOCUMENT FOR TYCO ELECTRONICS CORPORATION. IT IS SUBJECT TO CHANGE AND THE CONTROLLING ENGINEERING ORGANIZATION SHOULD BE CONTACTED FOR THE LATEST REVISION.</small>		DWN: SC KIM CHK: BW KANG APVD: JK SONG PRODUCT SPEC: 108-61068 APPLICATION SPEC:		tyco AMP KOREA, Electronics kyungsan, korea	
DIMENSIONS: MM TOLERANCES UNLESS OTHERWISE SPECIFIED: 0 <XX<10 10<XX<30 30<XX<		3rd ANGLE PROJECTION MATERIAL: SEE TABLE 2 FINISH:		NAME: 250 2P HDR ASS'Y (11mm Pitch) SIZE: A3 CAGE CODE: 00779C DRAWING NO: 1743330 RESTRICTED TO:	
WEIGHT:		SCALE: 2/1 SHEET: 1 OF 1 REV: C			